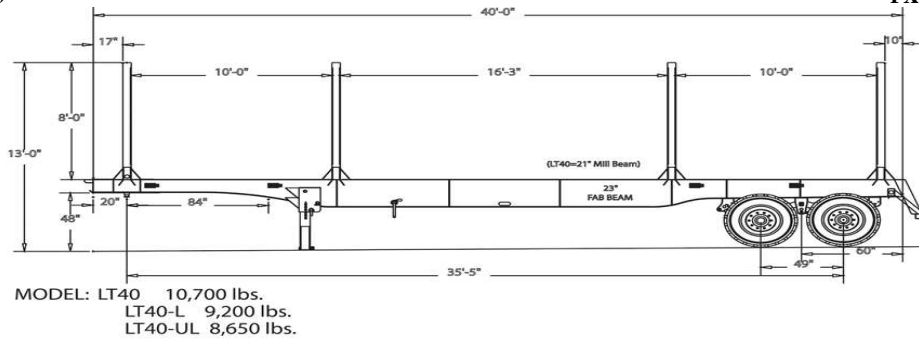




PH. 800-321-8073

FX. 334-855-3507



MODEL: LT40 10,700 lbs.
 LT40-L 9,200 lbs.
 LT40-UL 8,650 lbs.

Model LT40

www.pittrailers.com

STANDARD FEATURES

Load Capacity	80,000 lbs.
Weight	10,900 lbs.
Overall Length	40'
Width	8'6"
King Pin Swing Radius	84"
King Pin Setting	20"
King Pin Area	Covered With Two Hinged Tool Boxes
Fifth Wheel Height	48"
Mainframe	21" Wide Flange "T" Beams – Straight Frame
Cross Members	Channel Iron w/ "X" Members
Bumper	Extended Push Bumper, 4"x 6"x 102"
Bolsters	4"x 10"x 102", High Yield Steel
Standards	5"x 5", High Yield Steel, 13' Overall
Landing Gear	Heavy Duty Winch Back, 7" Foot
Air Tank	Covered
Winches	With Four 30' Straps
Suspension	Hutch 3 Point, Four Spring w/ 14,000lbs Cap. Springs
Axles	25,000 lbs. cap. 77.5" Track, Auto Slack Adjusters, Type 30 Brake Chambers, 16 1/2"x 7" Brake Pads
Tires	Outboard Drums, ABS anti-lock brake system
Wheels	11R24.5 Radials
Wiring	10 Hole Disc, Hub Piloted
Paint	D.O.T. Sealed Wiring Harness, Sealed Lights Rubber Mounted
	Black (Two Part Primer w/ Two Part Polyurethane Paint)

NOTE ALL SPECIFICATIONS SUBJECT TO CHANGE WITHOUT NOTICE. WEIGHTS AND DIMENSIONS ARE APPROXIMATE

OPTIONAL EQUIPMENT

Type 30/30 Spring Brakes	add 40 lbs.
Single Point (2 Spring) <u>entire length of tandem covered with channel iron</u>	add 800 lbs.
Air Ride <u>entire length of tandem covered with channel iron</u>	add 310 lbs.
Air Lift One Axle	add 135 lbs.
Pitts Lift Kit - Air Lift One Axle on a Single Point Suspension	add 95 lbs.
Add a Third Axle (spring ride)	add 1,800 lbs.
Add a Third Axle (air ride)	add 1,885 lbs.
11R.22.5 Tires	deduct 88 lbs.
425/60R22.5 Super Singles on Aluminum Disc Wheels	deduct 595 lbs.
Aluminum Wheels (outside polished)	deduct 280 lbs.
Tire Inflation System	
Onboard Electronic Scales (trailer only) (Vulcan or SI)	add 55 lbs.
Truck Only (not installed)	
Auto I.D. transmitter for multiple trucks, trailers	
Onboard Air Scales (trailer only)	add 30 lbs.
Air Gauge In Sealed Box	

MISCELLANEOUS

- o Revolver Greaseless Coupling System (Eliminates Need To Grease 5th Wheel) add 40 lbs.
- o Headboard add 450 lbs.
- o Additional Length add 60 lbs. per ft.
- o Steel Fenders (Front Mud Guard)
 - o (Full Front Fender)
 - o (Rear Tandem Fender)
- o Drag Bar Behind Back Bolster
- o Additional Winches (cables or strap)
- o 1/2" Kingpin Plate add 60 lbs.
- o Two-Speed Landing Gear deduct 165 lbs.
- o Grapple Deflectors
- o Standard Vertical Flat Bar Type - Center Section Only add 40 lbs.
- o "V" Type - Deflects Grapple - Center Section Only add 85 lbs.
- o Grapple Bar off Rear Bumper add 85 lbs.
- o 8' Wide Trailer deduct 100 lbs.
- o Moveable Bolsters add 50 lbs. each
- o Additional Bolsters add 450 lbs.
- o Removable Standards
- o Additional Lights
- o Special Paint Color (Any Color Other Than Black)